



DLS2000/2000-M

Slot Reader

Features

- Rugged metal housing
- Double illuminating diode
- Single optic resolution
- Red and Infrared versions
- Security and laminated code reading
- "Good Read" LED indicator and beeper
- RS232 and Wedge decoded versions (DLS2000-M)
- Plug-in cable set (DLS2000-M)

Applications

- Time & attendance terminals
- WIP terminals
- Access control: parking lots, laboratories, work areas, ski-lifts, etc.
- Automatic payment and ticket acceptance in: sports areas, public transport, health services, etc.

General Description

DLS2000 is a family of bar code readers designed for data collection applications in both commercial and industrial environments.

The slot readers are available in both red and infrared versions with single resolution optics designed to read high and low density codes.

The double diode illumination method allows High First Read Rate on scratched and dirty bar codes and is capable of scanning multi-laminated cards.

The **DLS2000** family is composed of digital and decoded models.

The digital models - **DLS2000** - have pen output and can be connected to the compatible family of Datalogic decoders (Dataplus family and DLD1000) or to any external device that accepts pen input.

The decoded models - **DLS2000-M** - are available with RS232 or Wedge output, and can be connected to the host computer using the Datalogic DLC6065/90-M CCD reader plug-in cable set.

All the decoded versions are supplied with a quick reference bar code configuration manual. Should the default settings not match the particular application, the user can customize them through the serial channel or bar code strings.

The **DLS2000** slot family can be installed on a flat working plane or attached to the wall according to specific application needs.

Models and Accessories

TYPE	LIGHT SOURCE		CONNECTOR		INTERFACE		ORDER NO.
	Red	Infrared	With	Without	Pen output	Multi-interface (RS232/Wedge)	
DLS2031R-20	•			•	•		900251020
DLS2032I-20		•	•		•		900251030
DLS2031I-20		•		•	•		900251050
DLS2032R-20	•		•		•		900251060
DLS2032R-M0	•		•			•	900251000
DLS2032I-M0		•	•			•	900251010
ACCESSORIES FOR DECODED VERSIONS (DLS2000-M)							
CAB327							90G001070
CAB350*							90A051230
CAB328*							90G001080
CAB320*							90G001000
CAB321**							90G001010
CAB322							90G001020
CAB324							90G001040
CAB325							90G001050
CAB326							90G001060
CAB323							90G001030
ADP-102							90ACC1030
ADP-103							90ACC1040
PG5 (110 Vac)							89751038
PG5 (220 Vac)							89751037

*Power Supply available on pin 9 or 25 of the connector.

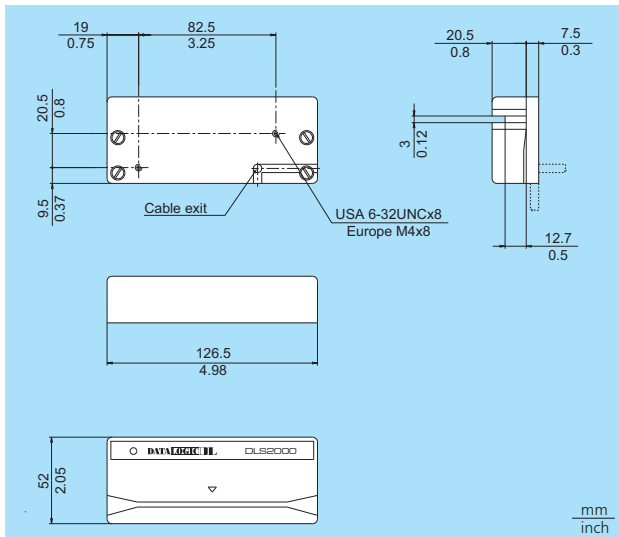
** Also available CAB321 SH1738 (Cod. 90A051140) for Notebook and IBM SureOne cable, minidin connector.

Specifications

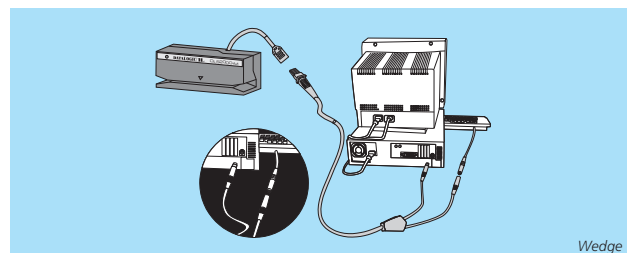
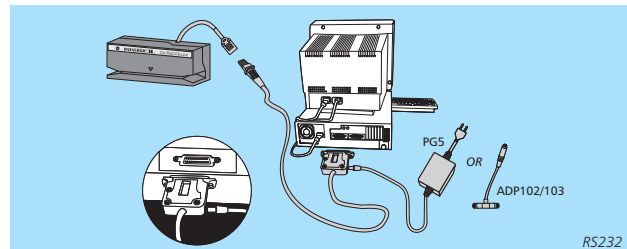
POWER SUPPLY	5 Vdc ± 10%
POWER CONSUMPTION	35 mA max. (DLS2000) 140 mA max. @ 5 Vdc (DLS2000-M)
DEPTH OF FIELD	3 mm
SCAN RATE	0.1 to 2 m/sec
PRINT CONTRAST RATIO	15% red version; 30% infrared version
DIGITAL OUTPUT	NPN transistor with internal 2.7 KW pull-up resistance; white = 0V, black = 5V
READING INDICATORS	Led, beeper
INTERFACES (DLS2000-M only)	RS232, Wedge (PC IBM AT/PS2, IBM SURE ONE, IBM Terminals: 31xx, 34xx, 37xx, 3153)
READABLE BAR CODES (DLS2000-M only)	2/5 family, EAN/UPC, Code 39 (plus Code 32 and CIP 39), Codabar, Code 128, Code 93
READING MODE	Single or autodiscrimination code (DLS2000-M only)

PROGRAMMING METHOD	(DLS2000-M only) Manual Automatic (with RS232) WinSetPlus
WEIGHT	About 180 g without cable
CASE	Cast aluminium
CABLE LENGTH	2 m (6.6 ft): DLS2000; 60 cm (23.6 in): DLS2000-M
AMBIENT LIGHT CONDITIONS	10,000 lux (light angle 80°)
OPERATING TEMPERATURE	0 to 55 °C (32 to 131 °F)
STORAGE TEMPERATURE	-20 to 60 °C (-4 to 140 °F)
HUMIDITY	90% non condensing
VIBRATION RESISTANCE	0.75 mm at 10 to 55 Hz, 2 hours sinewave, sweep time 1 octave/min. x,y,z
SHOCK RESISTANCE	30 G - 11 ms 3 shocks on the 6 planes half sine
ENVIRONMENTAL PROTECTION	IP50

Dimensions



Connections



DATA LOGIC DL

Bar Code & More

Product and company names and logos referenced may be either trademarks or registered trademarks of their respective companies.

Australia
Datalogic PTY LTD.
Tel. +61 3/95589299
Fax +61 3/95589233
sales@datalogic.com.au

Austria
Datalogic Handelsges MBH
Tel. +43 2236/258820
Fax +43 2236/258825
office@datalogic.co.at

Denmark
Datalogic AB
Tel. +45 44/209970
Fax +45 44/209972
info@datalogic.se

France
Datalogic France S.A.
Tel. +33 1/60921111
Fax +33 1/60921340
dlfrance@worldnet.fr

Germany
Datalogic GmbH
Tel. +49 7026/6080
Fax +49 7026/5746
info@datalogic.de

Italy
Datalogic S.p.A.
Tel. +39 051/6459300
Fax +39 051/726562
vendititalia@datalogic.it

Japan
Izumi Datalogic Co., Ltd.
Tel. +81 78/2723400
Fax +81 78/2722003
idlmarke@izumi-datalogic.co.jp

Netherlands
Datalogic Optic Electronics BV
Tel. +31 346/572888
Fax +31 346/568736
info@datalogic.nl

Spain
Datalogic France S.A.
Tel. +34 93/3221227
Fax +34 93/4394136
datalogic@sei.es

Sweden
Datalogic AB
Tel. +46 40/385000
Fax +46 40/385001
info@datalogic.se

United Kingdom
Datalogic UK Ltd.
Tel. +44 1582/464900
Fax +44 1582/464999
enquiries@datalogic.demon.co.uk

U.S.A.
Datalogic Inc.
Tel. +1 859/6897000
Fax +1 859/3344970
info@datalogic.com



We reserve the right to make modifications and improvements

Datalogic Quality Partner



These products are available through the worldwide network of Datalogic Quality Partners.